



Motor Specialty, Inc.  
2801 Lathrop Avenue  
Racine, WI 53405

DESCRIPTION: 2000C GM 30 GEARBOX .625" SHAFT DROP-IN

DRAWN BY: CZ

PART NUMBER

MATERIAL:

SIZE: B

Model RGP2030C-GP7409

TOLERANCE: .XXX±.005 .XX±.01 FRACTION±1/64 ANGLE:±1 Deg.

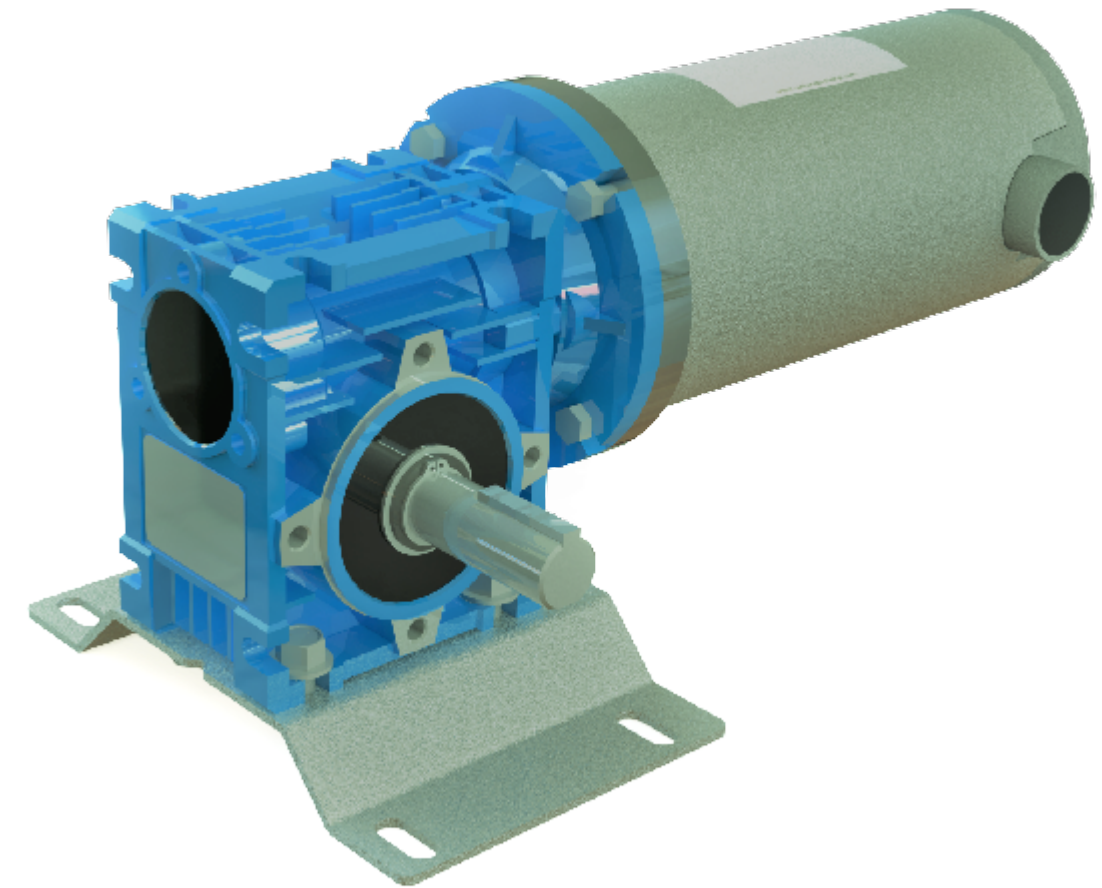
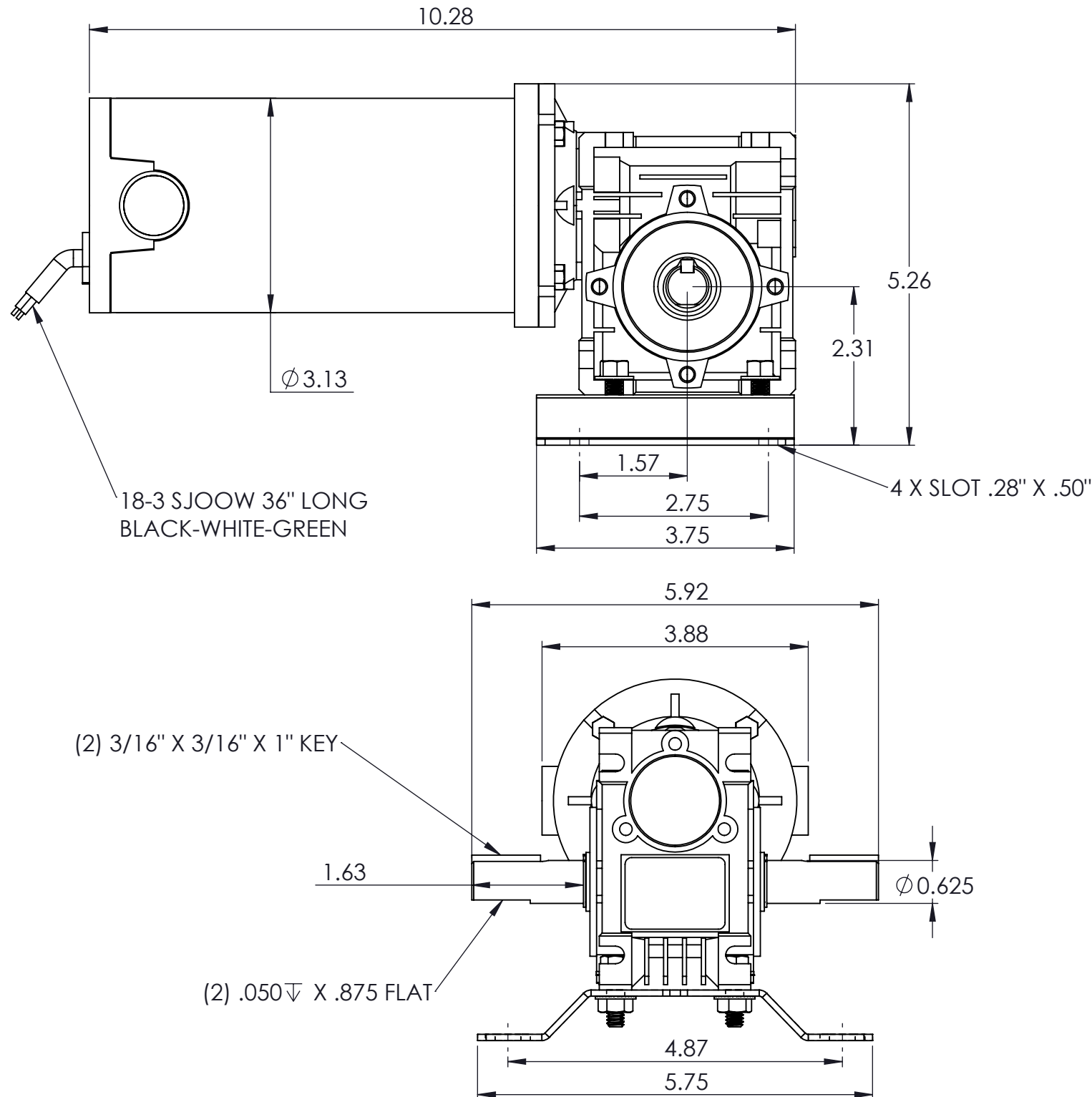
SCALE: 1:2

ALL UNITS IN INCHES UNLESS OTHERWISE NOTED

REVISION: C

REVISIONS

REV.	DESCRIPTION	DATE	ENGINEERING APPROVAL
A	INITIAL DRAWING	10/30/19	CZ
B	MODEL NUMBER CHANGE (RGP)	3/30/2020	CZ
C	CHANGE MOUNTING SLOT ORIENTATION	6/15/2020	CZ



VOLTAGE: 90 DC  
 ROTATION: REVERSIBLE (BLACK POSITIVE(+)) CW  
 CONSTRUCTION: TENV  
 FINISH: POWERCOAT SILVER/BLUE  
 INSULATION: CLASS F  
 GEAR REDUCTION: 80:1  
 OUTPUT SPEED/TORQUE: 20RPM/175IN-LB