



Motor Specialty, Inc.
2801 Lathrop Avenue
Racine, WI 53405

DESCRIPTION: 2000C GM 30 GEARBOX .750" SHAFT DROP-IN

DRAWN BY: CZ

PART NUMBER

MATERIAL:

SIZE: B

Model RGP2030C-GP7424

TOLERANCE: .XXX±.005 .XX±.01 FRACTION±1/64 ANGLE:±1 Deg.

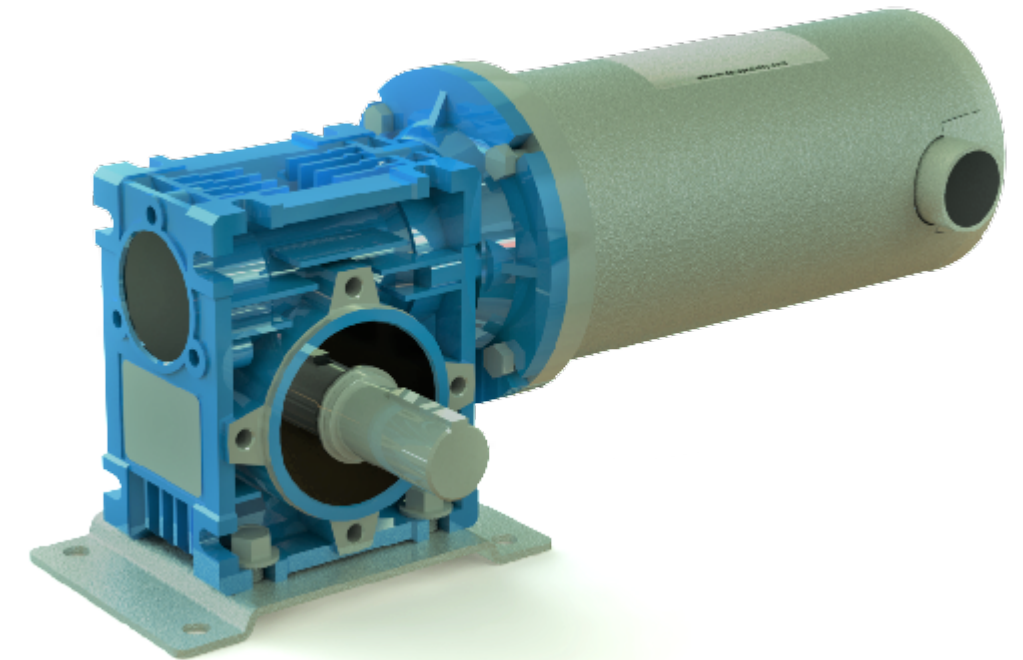
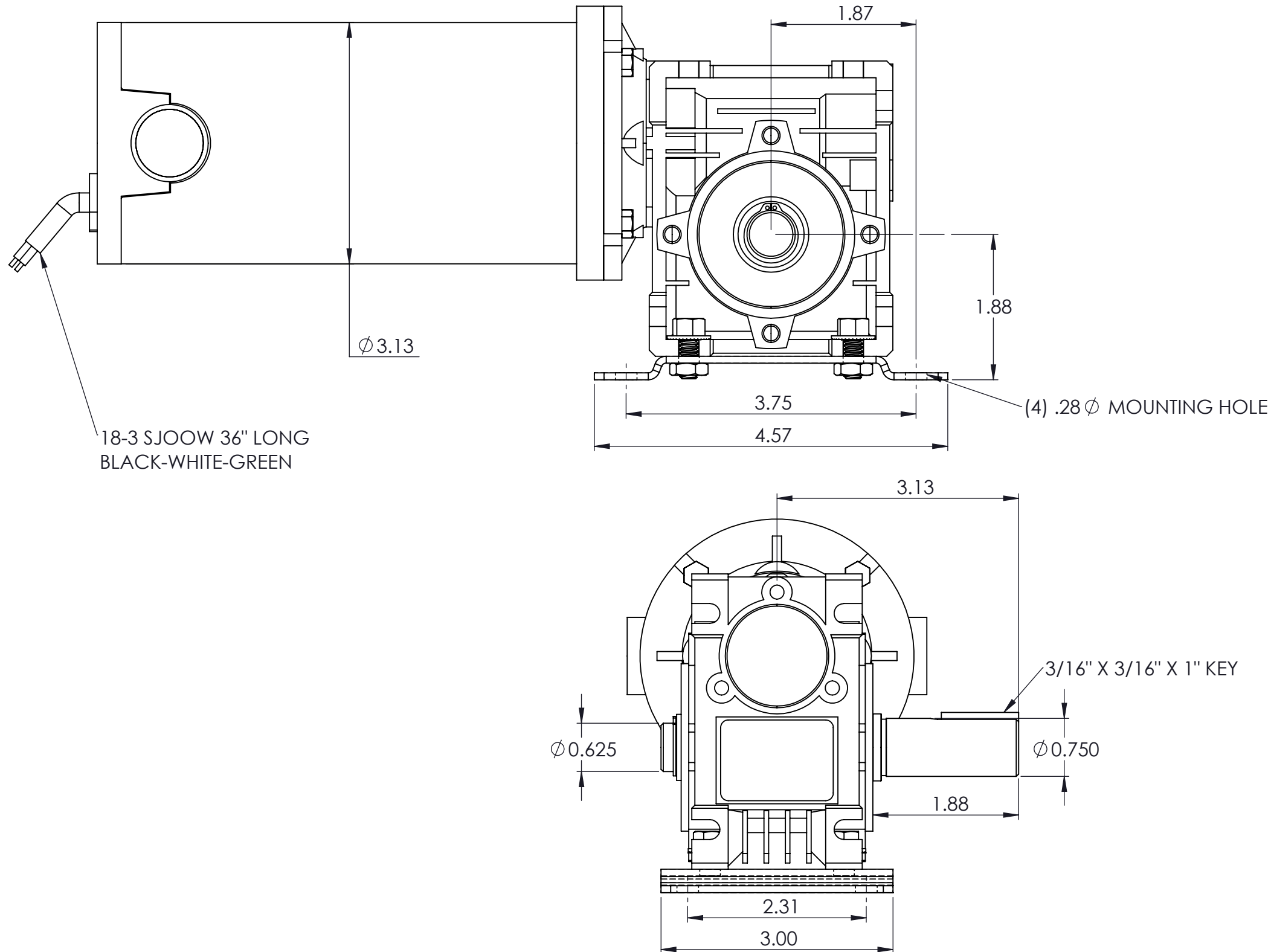
SCALE: 1:1.5

ALL UNITS IN INCHES UNLESS OTHERWISE NOTED

REVISION: C

REVISIONS

| REV. | DESCRIPTION | DATE | ENGINEERING APPROVAL |
|------|----------------------------|-----------|----------------------|
| A | INITIAL DRAWING | 10/30/19 | CZ |
| B | MODEL NUMBER CHANGE (RGP) | 3/30/2020 | CZ |
| C | SHAFT EXTENSION CORRECTION | 6/15/2020 | CZ |



VOLTAGE: 180 DC
 ROTATION: REVERSIBLE (BLACK POSITIVE(+)) CW
 CONSTRUCTION: TENV
 FINISH: POWERCOAT SILVER/BLUE
 INSULATION: CLASS F
 GEAR REDUCTION: 60:1
 OUTPUT SPEED/TORQUE: 30RPM/120IN-LB