



Motor Specialty, Inc.
2801 Lathrop Avenue
Racine, WI 53405

DESCRIPTION: 2000C PM 40 GEARBOX .75" SHAFT DROP-IN

DRAWN BY: CZ

PART NUMBER

MATERIAL:

SIZE: B

TOLERANCE: .XXX±.005 .XX±.01 FRACTION±1/64 ANGLE:±1 Deg.

SCALE: 1:2

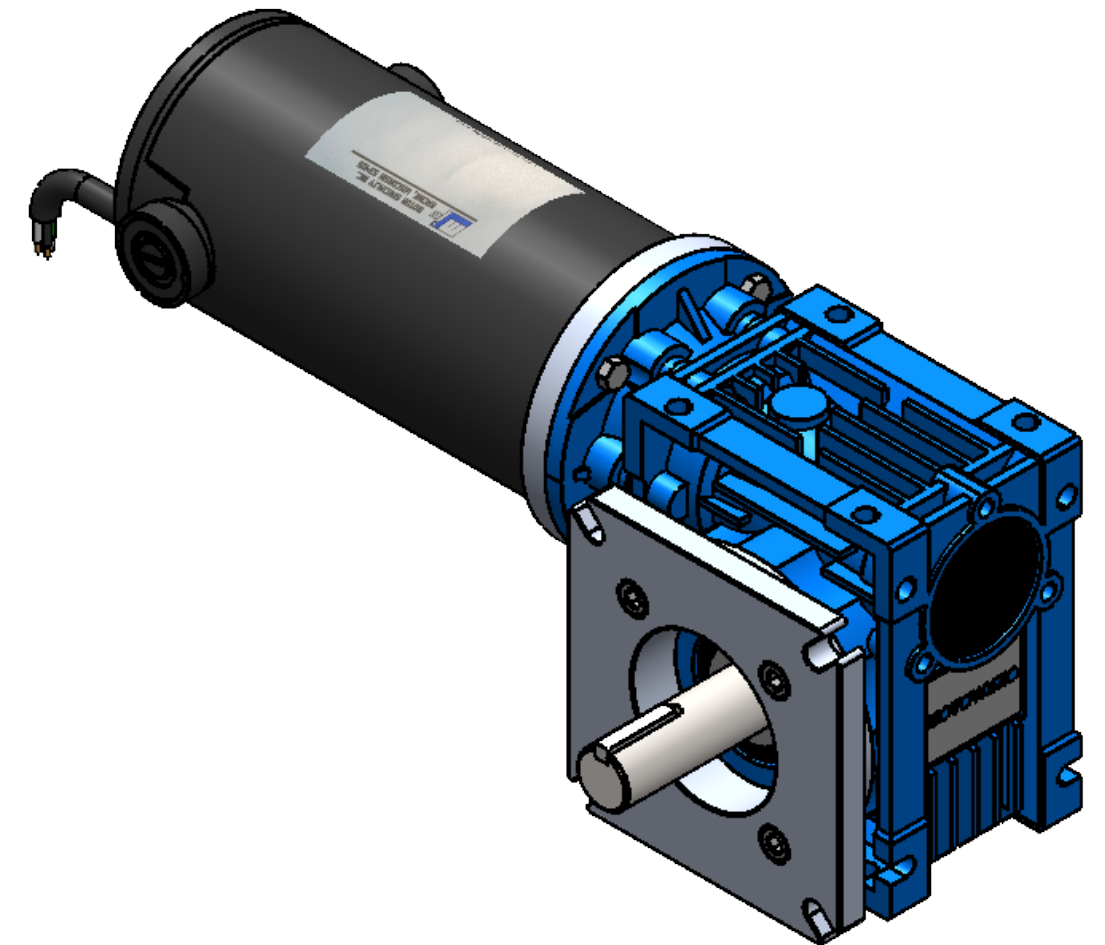
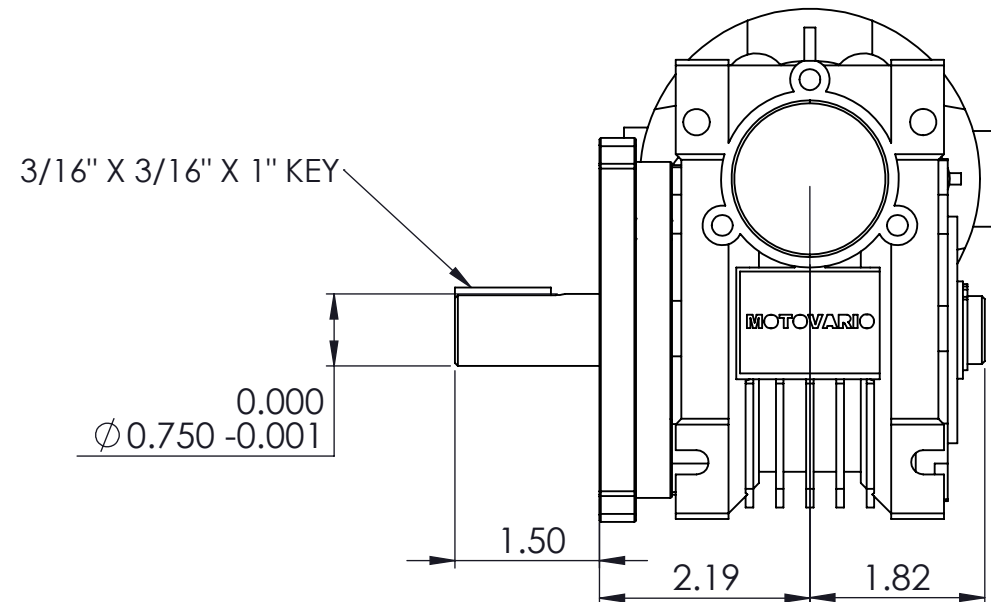
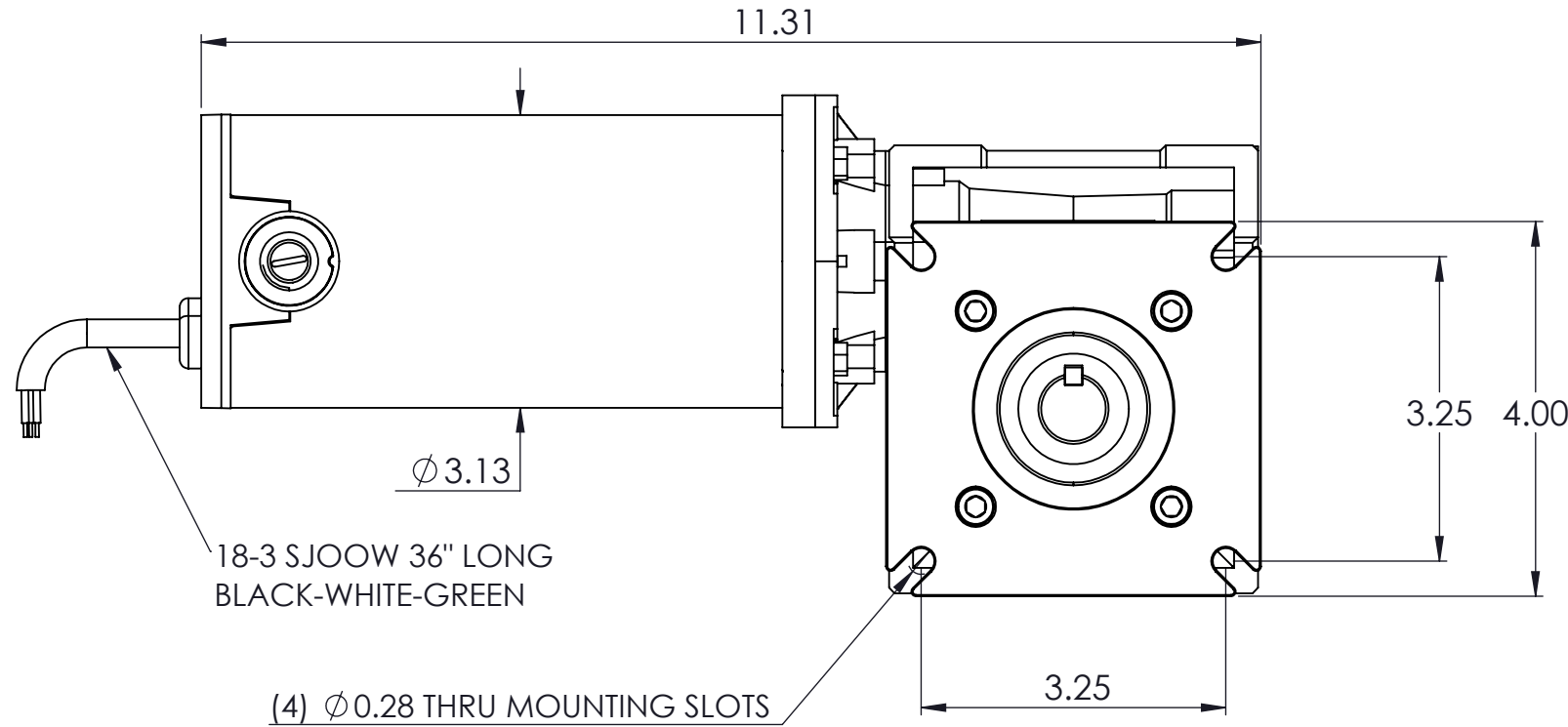
Model RGP2040C-GPF13515

ALL UNITS IN INCHES UNLESS OTHERWISE NOTED

REVISION: -

REVISIONS

| REV. | DESCRIPTION | DATE | ENGINEERING APPROVAL |
|------|-----------------|------------|----------------------|
| - | INITIAL DRAWING | 10/16/2020 | CZ |



VOLTAGE: 90 DC
ROTATION: REVERSIBLE (BLACK POSITIVE(+) CW)
CONSTRUCTION: TENV
FINISH: POWDERCOAT BLACK/BLUE
INSULATION: CLASS F
GEAR REDUCTION: 20:1
OUTPUT SPEED/TORQUE: 167RPM/69IN-LB